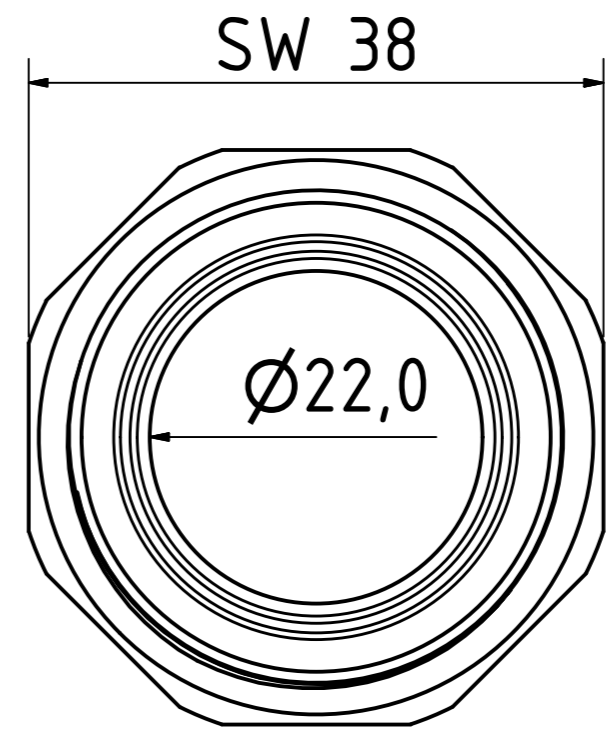
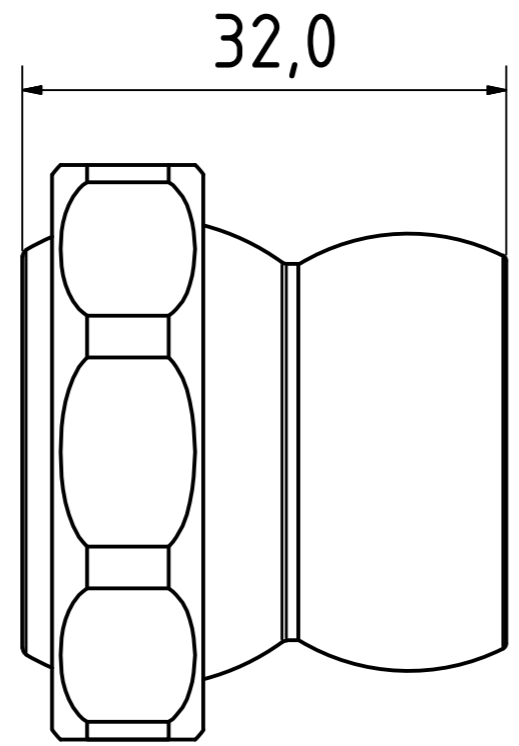


8 7 6 5 4 3 2 1

F
E
D
C
B
A

F
E
D
C
B
A

Effektive einbaulänge 23,35



| | | | | | | | |
|--------|------------|-------|------|--------------|------------|-----------|---------|
| | | | | | | | |
| | | | | Datum | Name | | |
| | | | | Gezeichnet | 07.03.2019 | Hirt-Line | Adapter |
| | | | | Kontrolliert | | | |
| | | | | Norm | | | |
| | | | | | | | 3-AD-LL |
| | | | | | | | 1 |
| Status | Änderungen | Datum | Name | | | | A2 |

8 7 6 5 4 3 2 1